
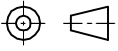


SOURCE DRAWING - FOR REFERENCE ONLY

RELATED DOCUMENTS		3RD ANGLE PROJECTION		THIS DRAWING IS CONFIDENTIAL AND THE PROPERTY OF TURCK INC. USE OF THIS DOCUMENT WITHOUT WRITTEN PERMISSION IS PROHIBITED.		 3000 CAMPUS DRIVE MINNEAPOLIS, MN 55441 1-800-544-7769 (763) 553-7300 (763) 553-0708 fax www.turck.us	
1. 2. 3. 4.				DRFT RDS	DATE 07/12/05	DESCRIPTION TC-R16-SS	
MATERIAL 316 SST		ALL DIMENSIONS DISPLAYED ON THIS DRAWING ARE FOR REFERENCE ONLY		DSGN RT	SCALE 1=1.0	IDENTIFICATION NO. LT0305	
FINISH		CONTACT TURCK FOR MORE INFORMATION		UNIT OF MEASUREMENT <b>INCH [ MILLIMETER ]</b>		REV A	
A DRAWING RELEASE		RDS	07/12/05	DO NOT SCALE THIS DRAWING		FILE: LT0305	SHEET 1 OF 1
REV	DESCRIPTION	BY	DATE	ECO NO.			

A	DRAWING RELEASE	RDS	07/12/05	
REV	DESCRIPTION	BY	DATE	ECO NO.